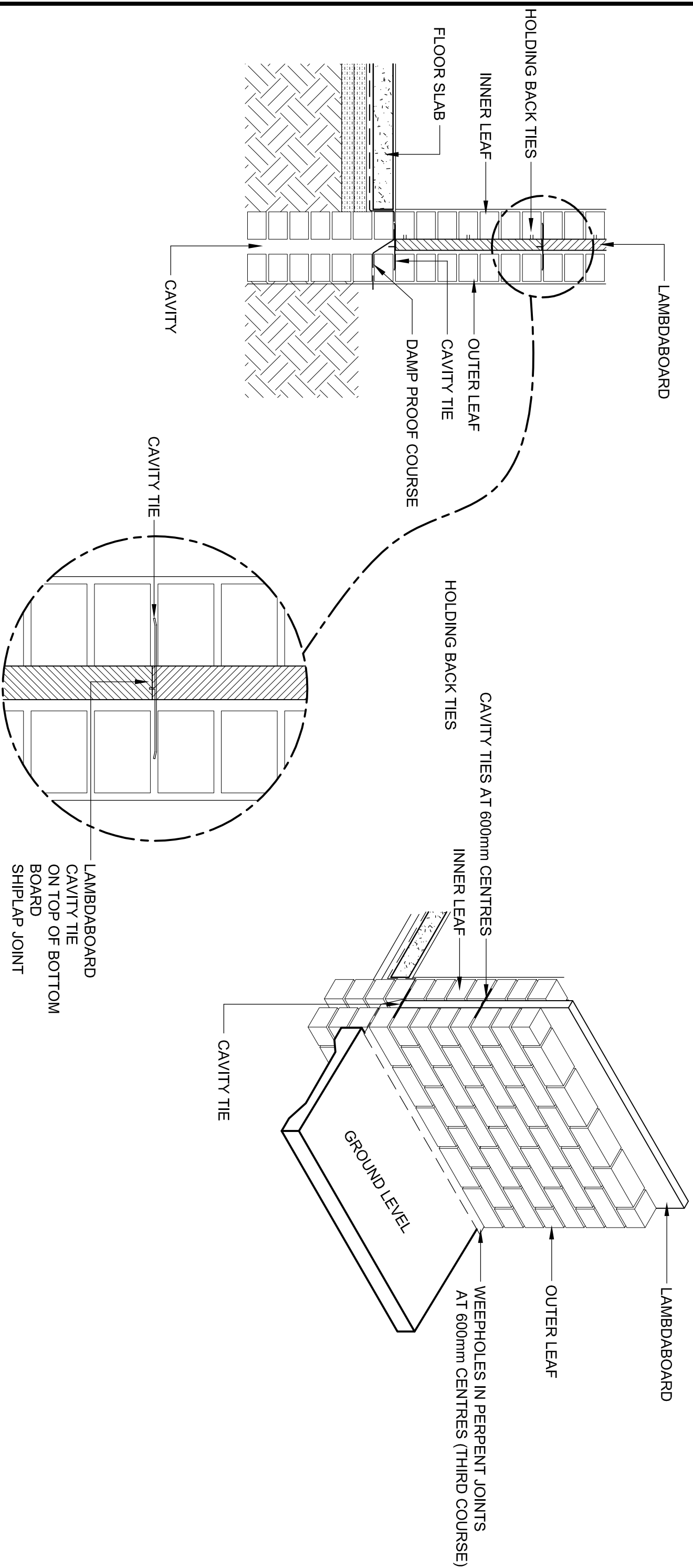


INSULATION OF CAVITY WALL FOOTING



Email: duncan@rigifoam.com
www.lambdaboard.co.za

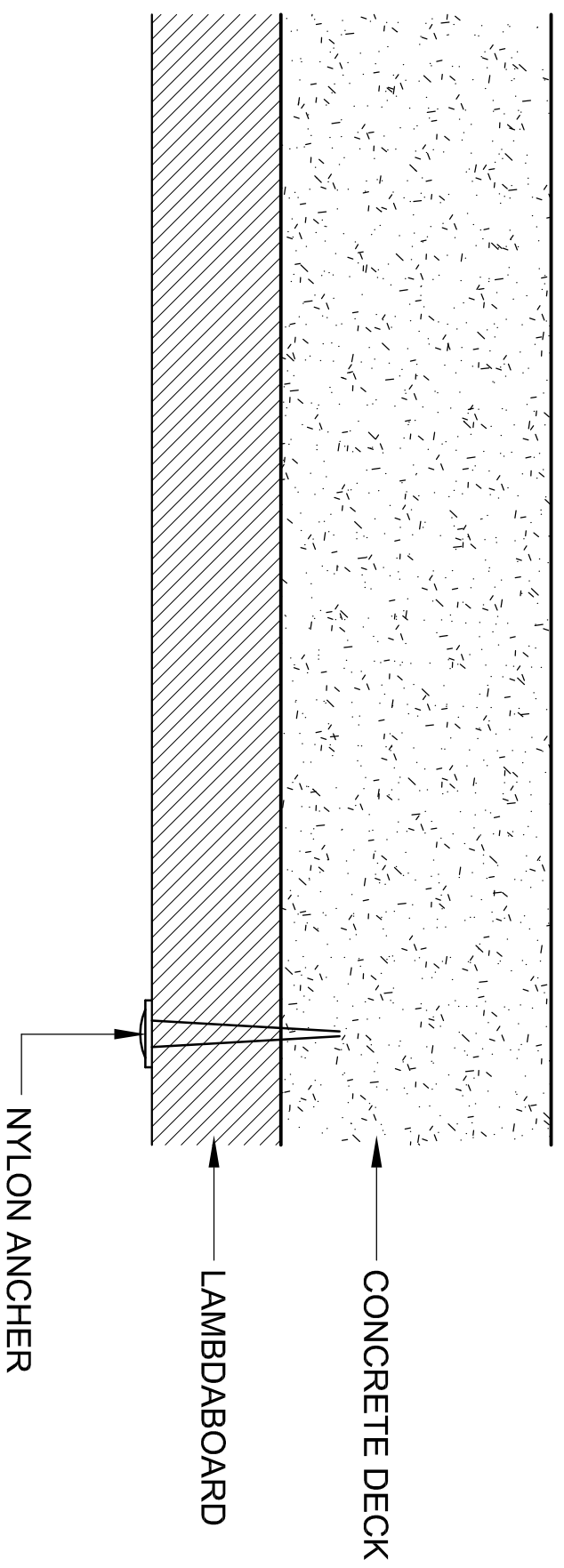
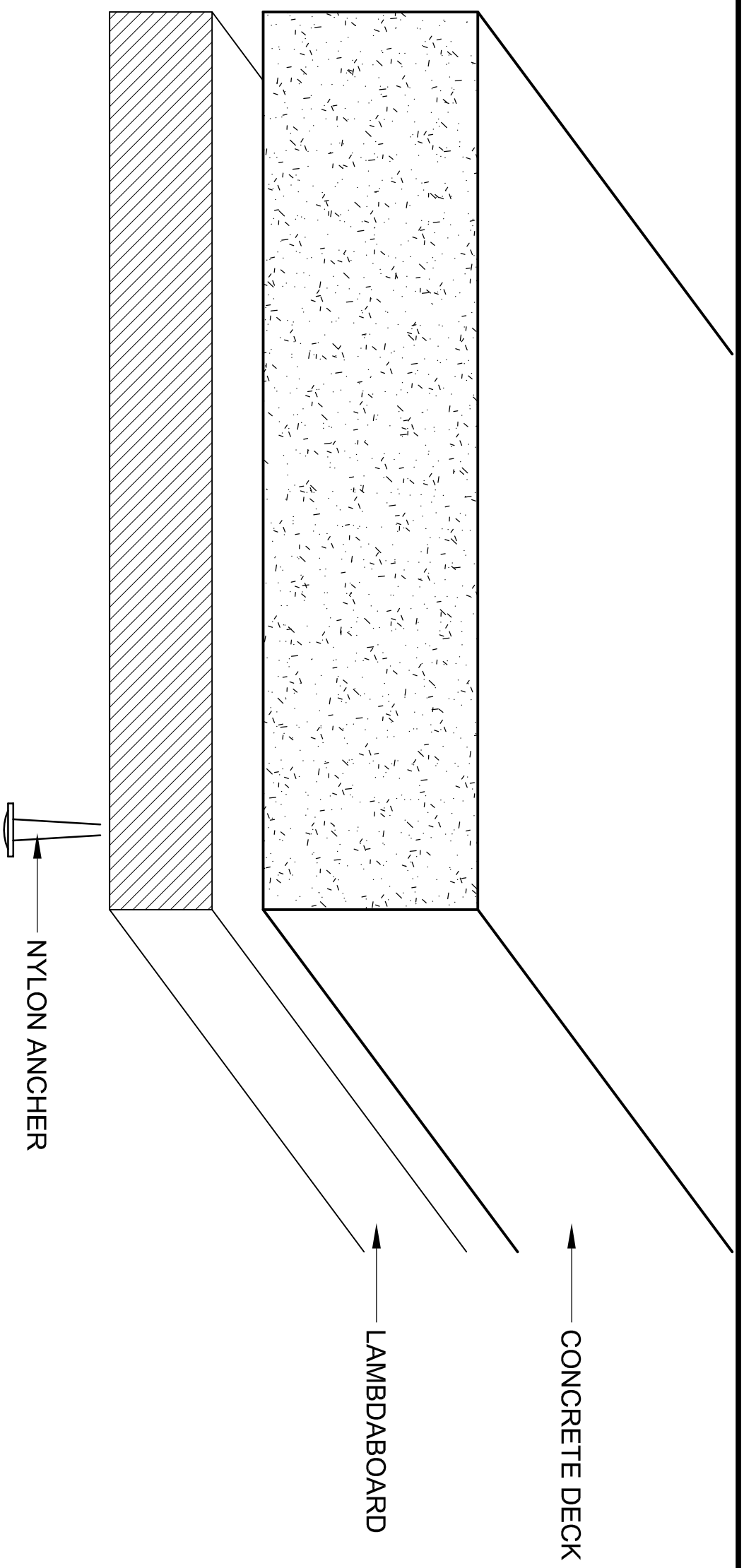


INSULATION OF CAVITY WALL FOOTING



LAMBDA BOARD™
THE BETTER THERMAL INSULATION

Email: duncan@rigifoam.com
www.lambdaboard.co.za

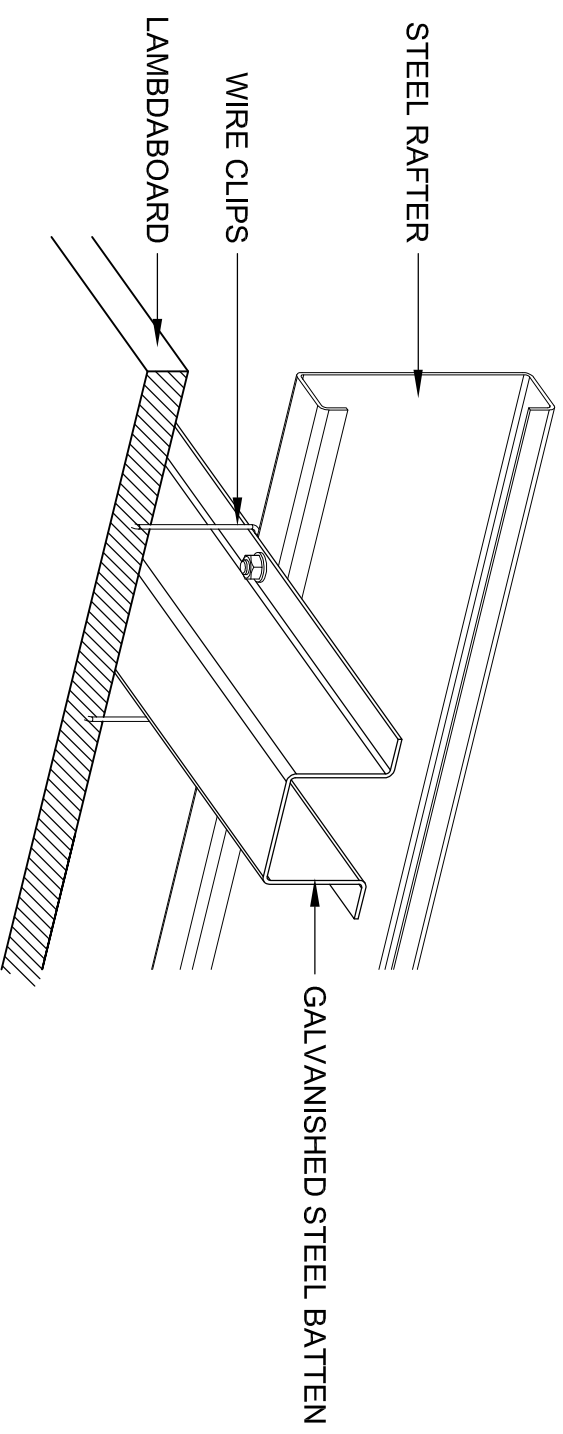


COLD DECK INSTALLATION

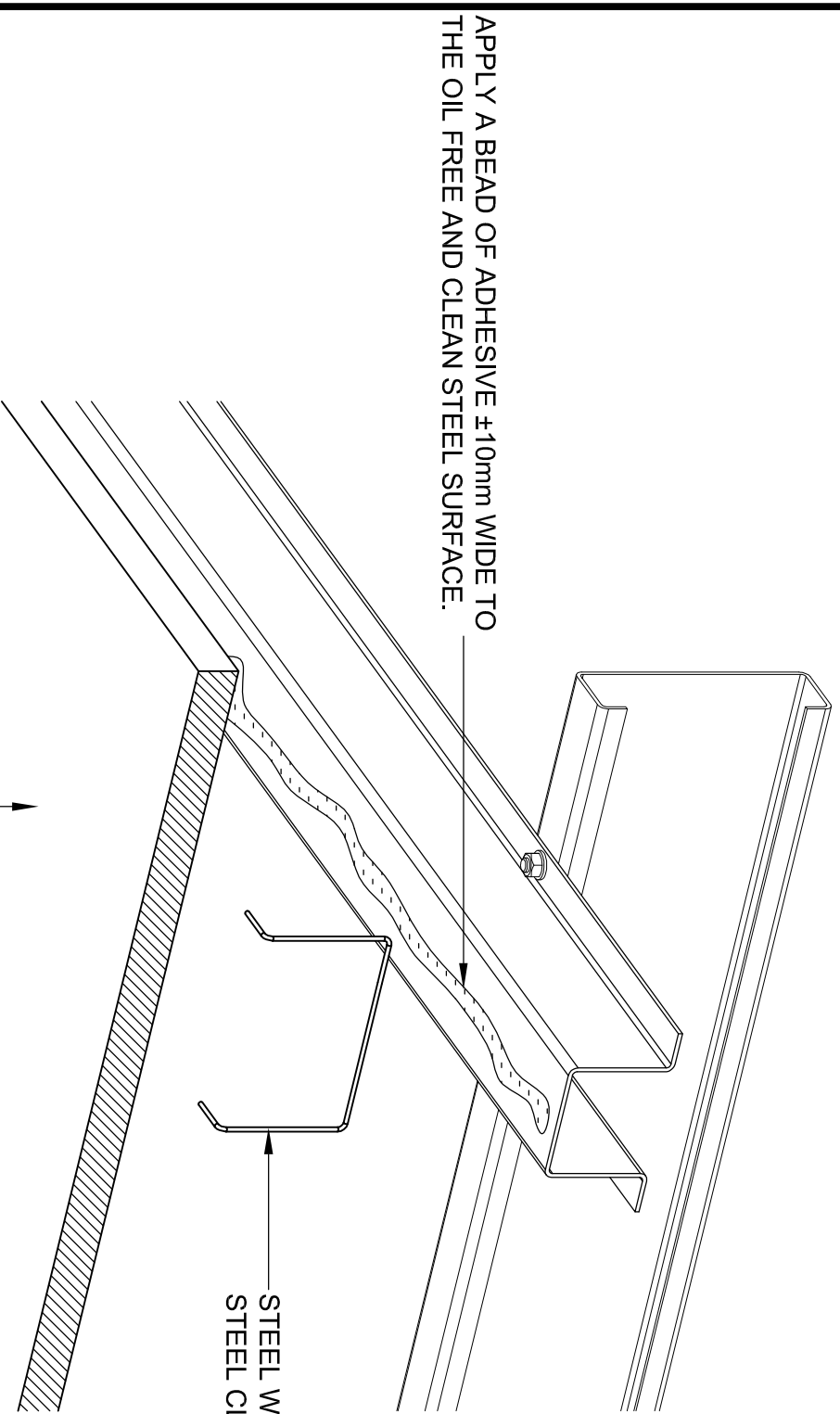


LAMBDABOARD™
THE BETTER THERMAL INSULATION

Email: duncan@rigifoam.com
www.lambdaboard.co.za

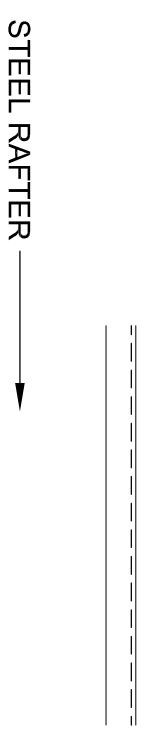


ISOMETRIC VIEW OF LAMBDABOARD TO GALVANIZED STEEL BATTENS



APPLY BOARD WITH THE WHITE BACKING SHOWING DOWN BY USING THE STEEL CLIPS TO HOLD THE BOARD IN PLACE.

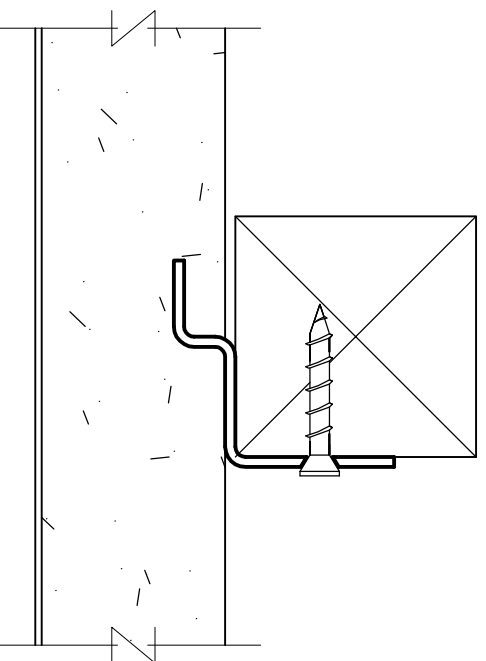
LAMBDABOARD FIXED TO GALVANIZED STEEL BATTENS



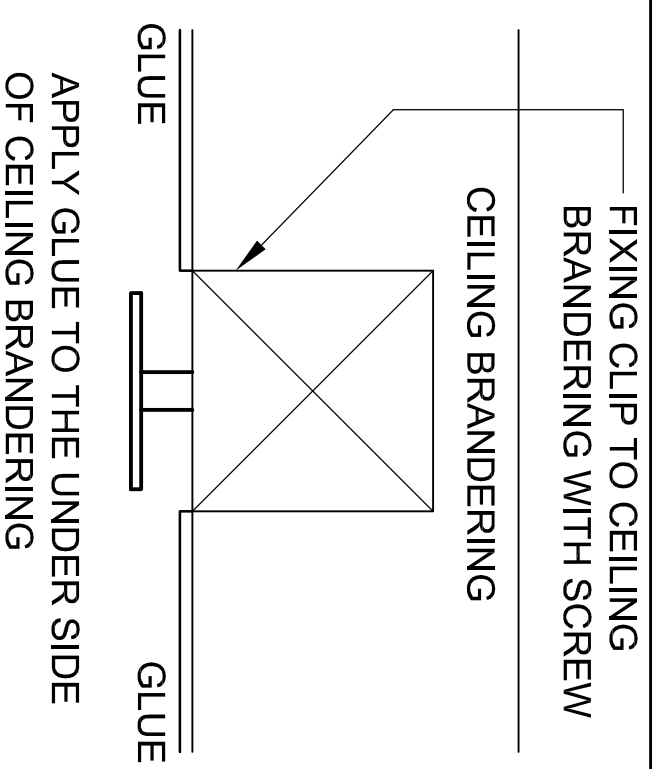
TYPICAL VIEW OF LAMBDABOARD IN FIXED POSITION

STEEL WIRE CLIPS ARE USE TO HOLD THE BOARD IN PLACE. STEEL CLIPS WILL REMAIN IN PLACE.

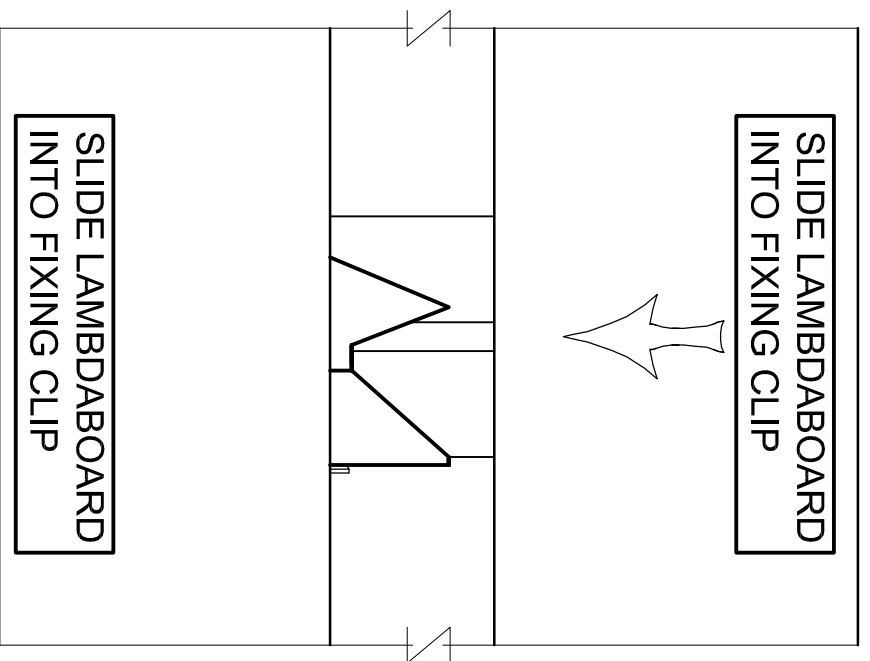




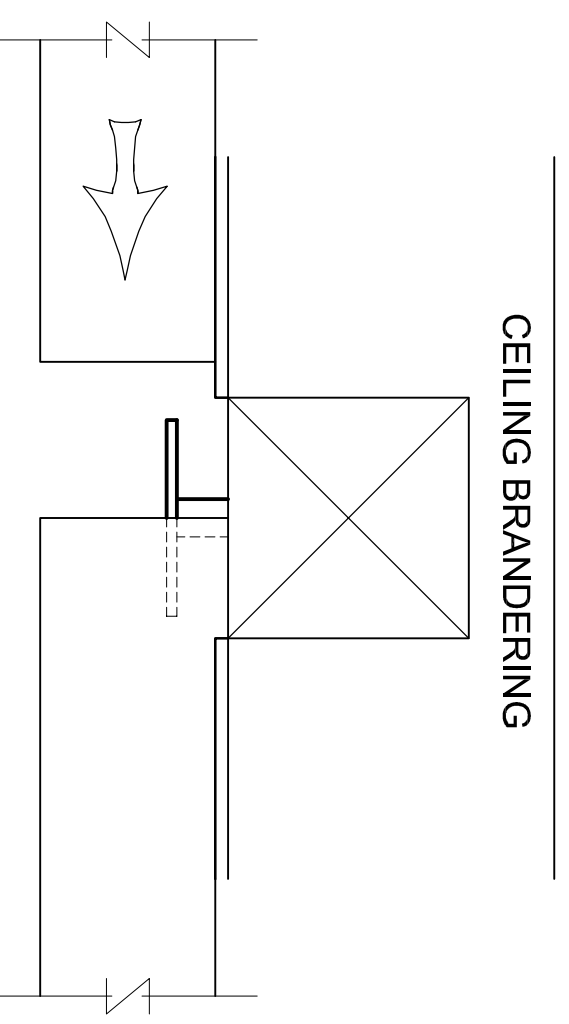
STEP 1



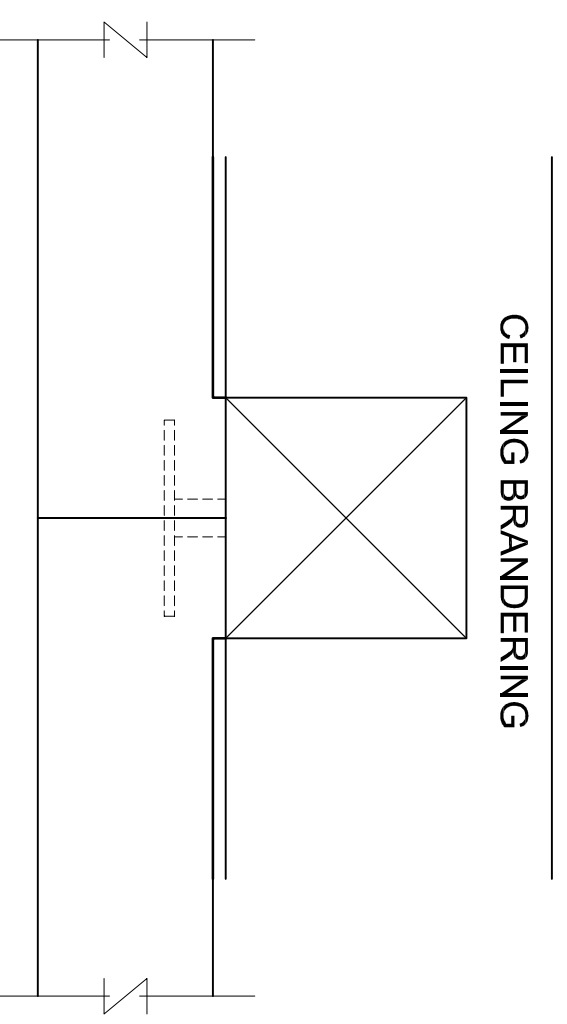
APPLY GLUE TO THE UNDER SIDE OF CEILING BRANDERING



STEP 2

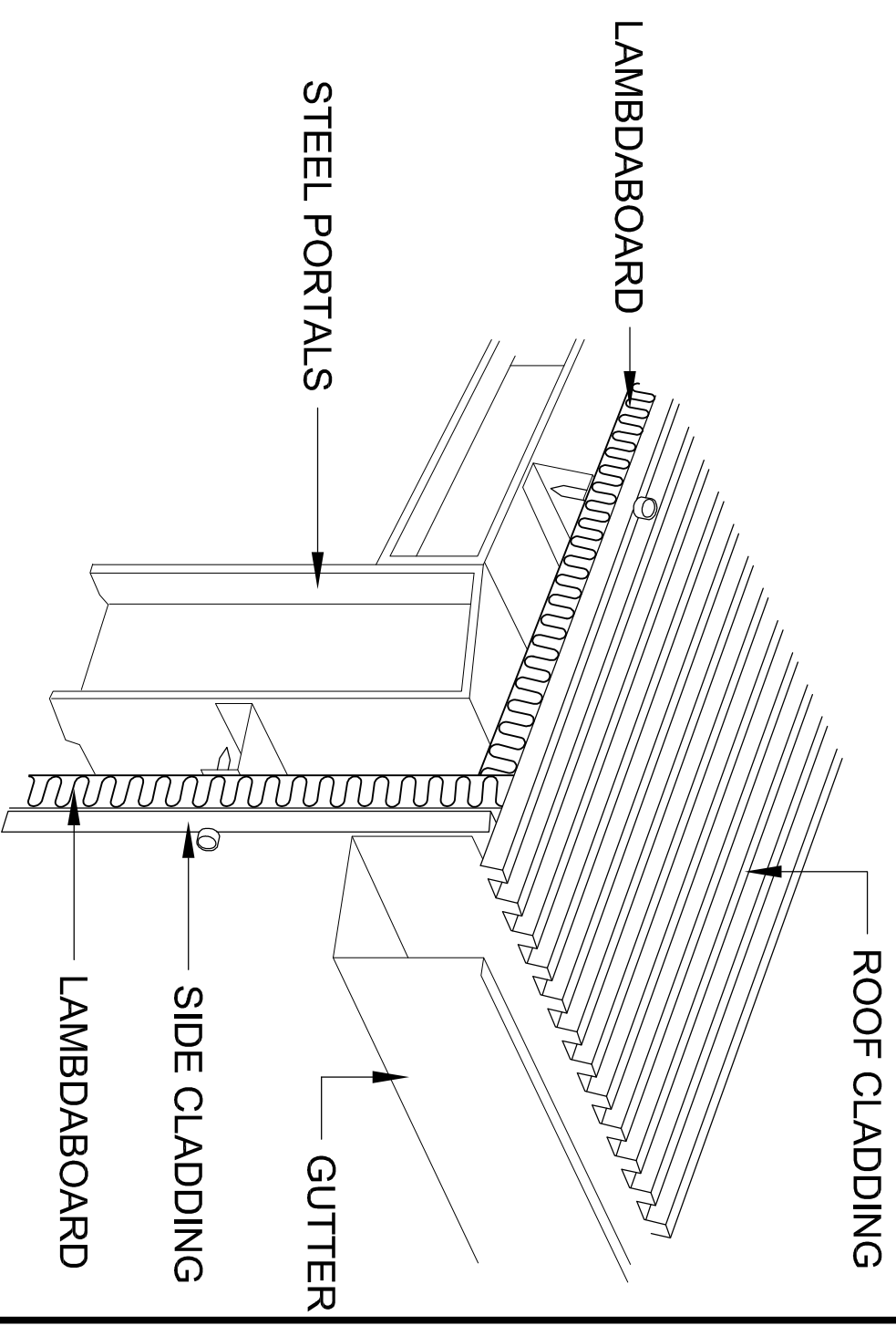
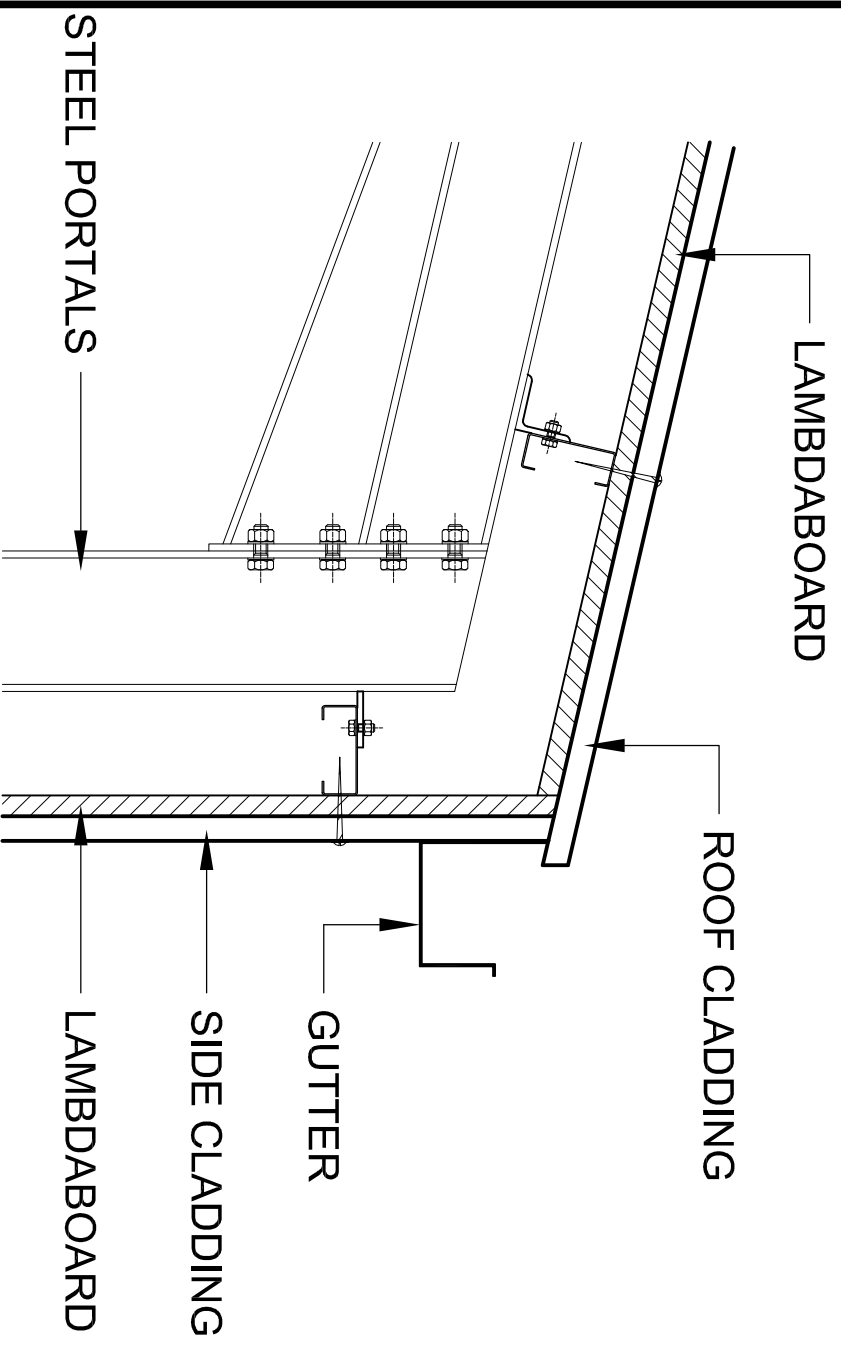


STEP 3

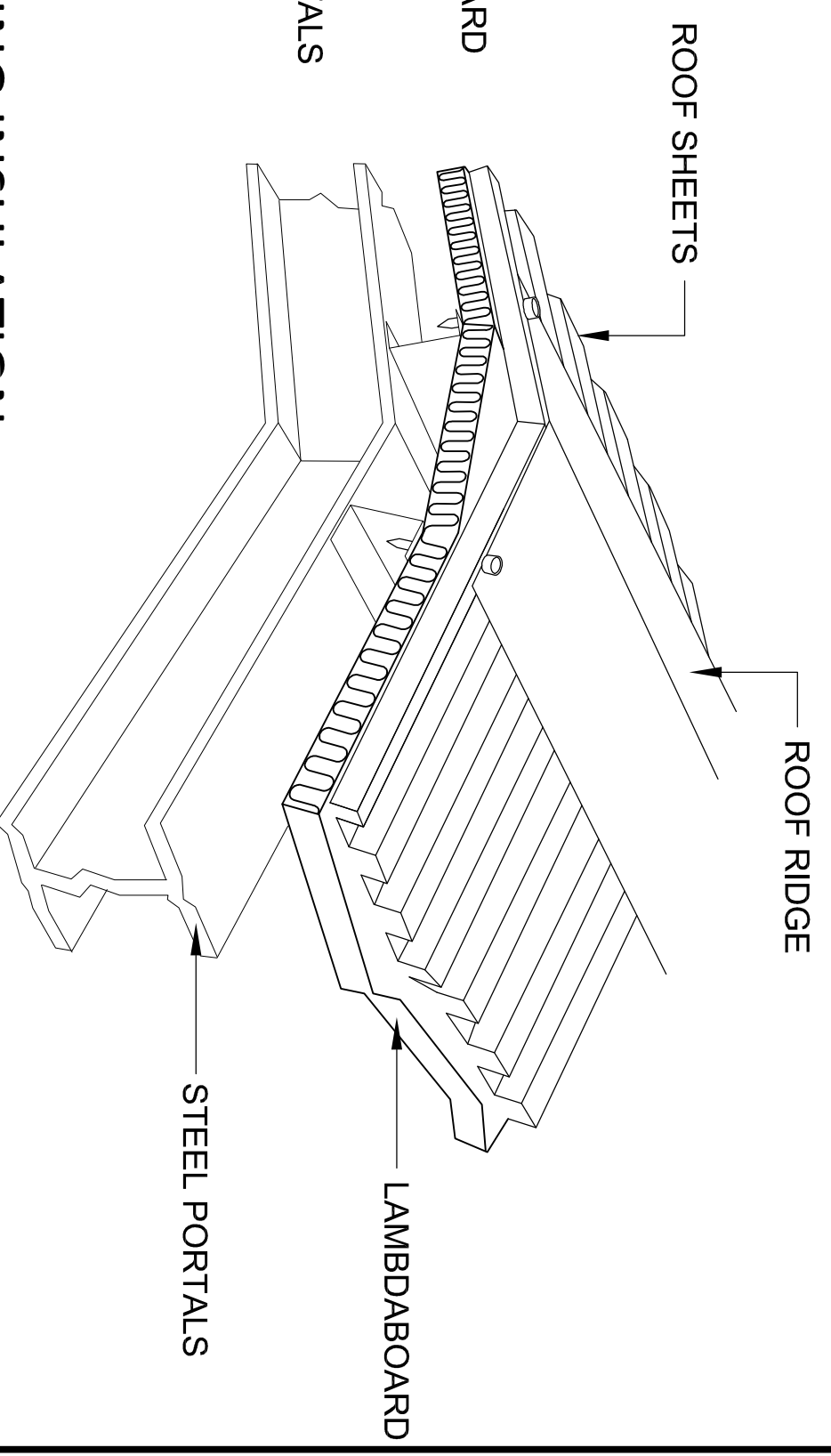
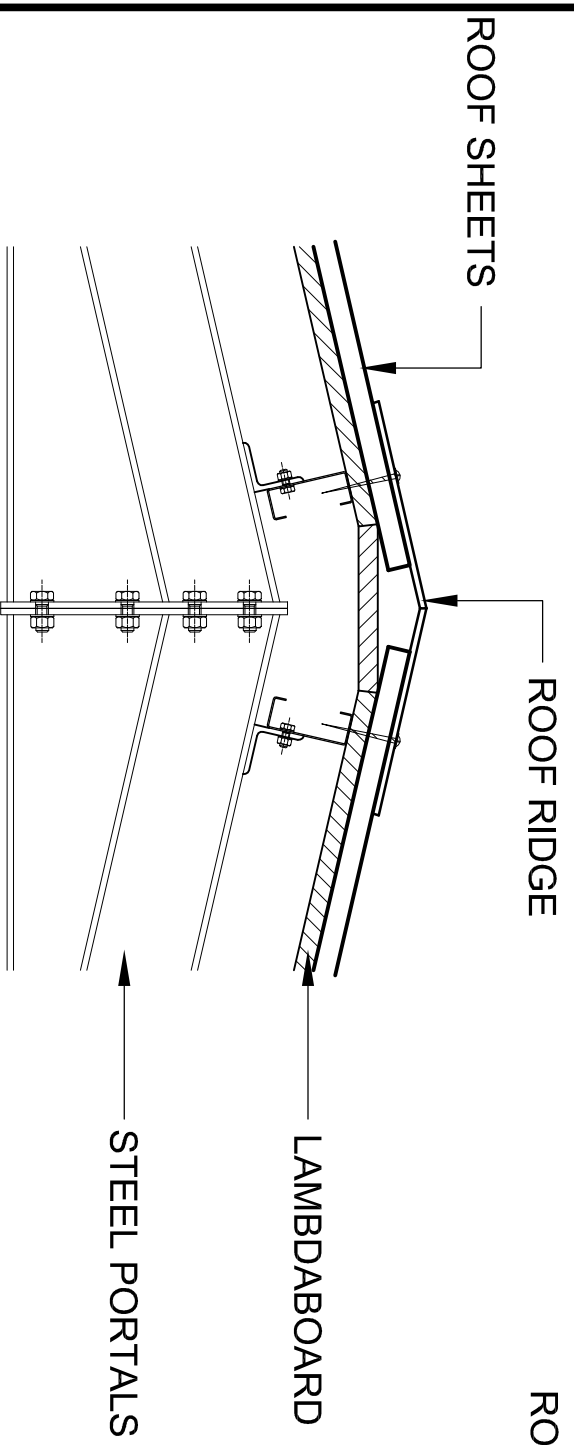


LAMBDABOARD™
THE BETTER THERMAL INSULATION

Email: duncan@rigifoam.com
www.lambdaboard.co.za



OVER PURLIN INSULATION



OVER ROOF CAPPING INSULATION



LAMBDABOARD
THE BETTER THERMAL INSULATION



SUSPENDED CEILING INSTALLATION GUIDE.

Lambdaboard is a very light weight insulation board and can be installed using standard suspended grid systems. The grid system is to be installed as per the suppliers' recommendations. LAMBDABOARD is supplied in either 595mm or 1195mm widths with a maximum length of 1195mm. Due to the light weight nature of the product it is imperative that the boards are secured in place to prevent lifting which is created by pressure changes (door opening and closing) or wind. The following options are recommended:

Option 1.

Up to 30mm thickness a concealed clip is to be fitted on the top side of the board 100mm from the cross section on the longitudinal length. These clips can be obtained from the grid supplier or from RIGIFOAM.



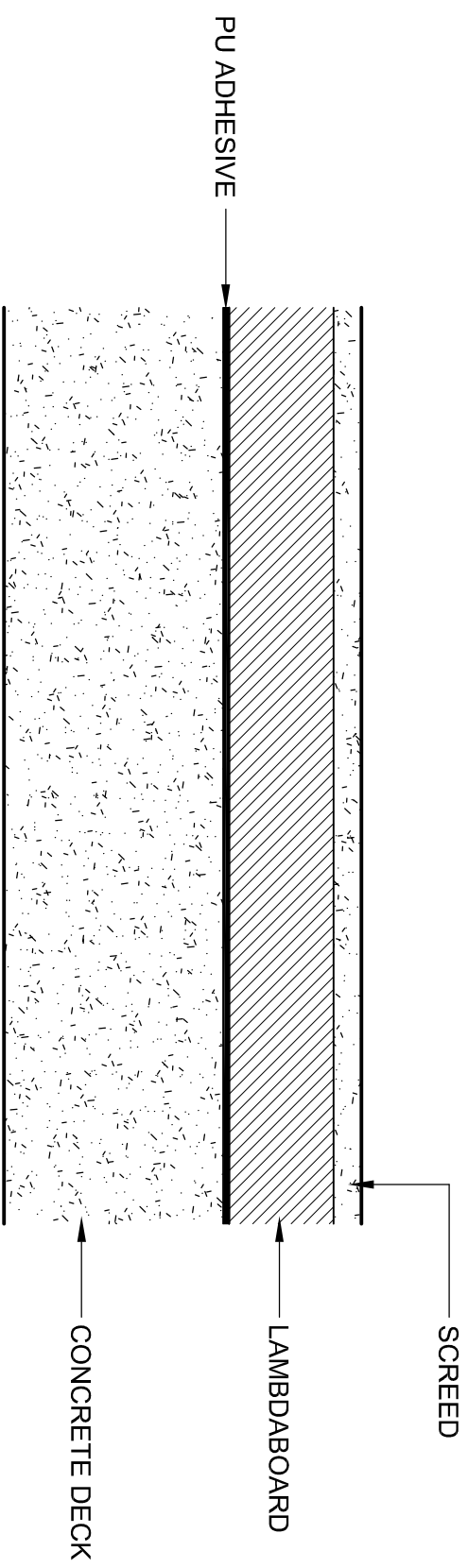
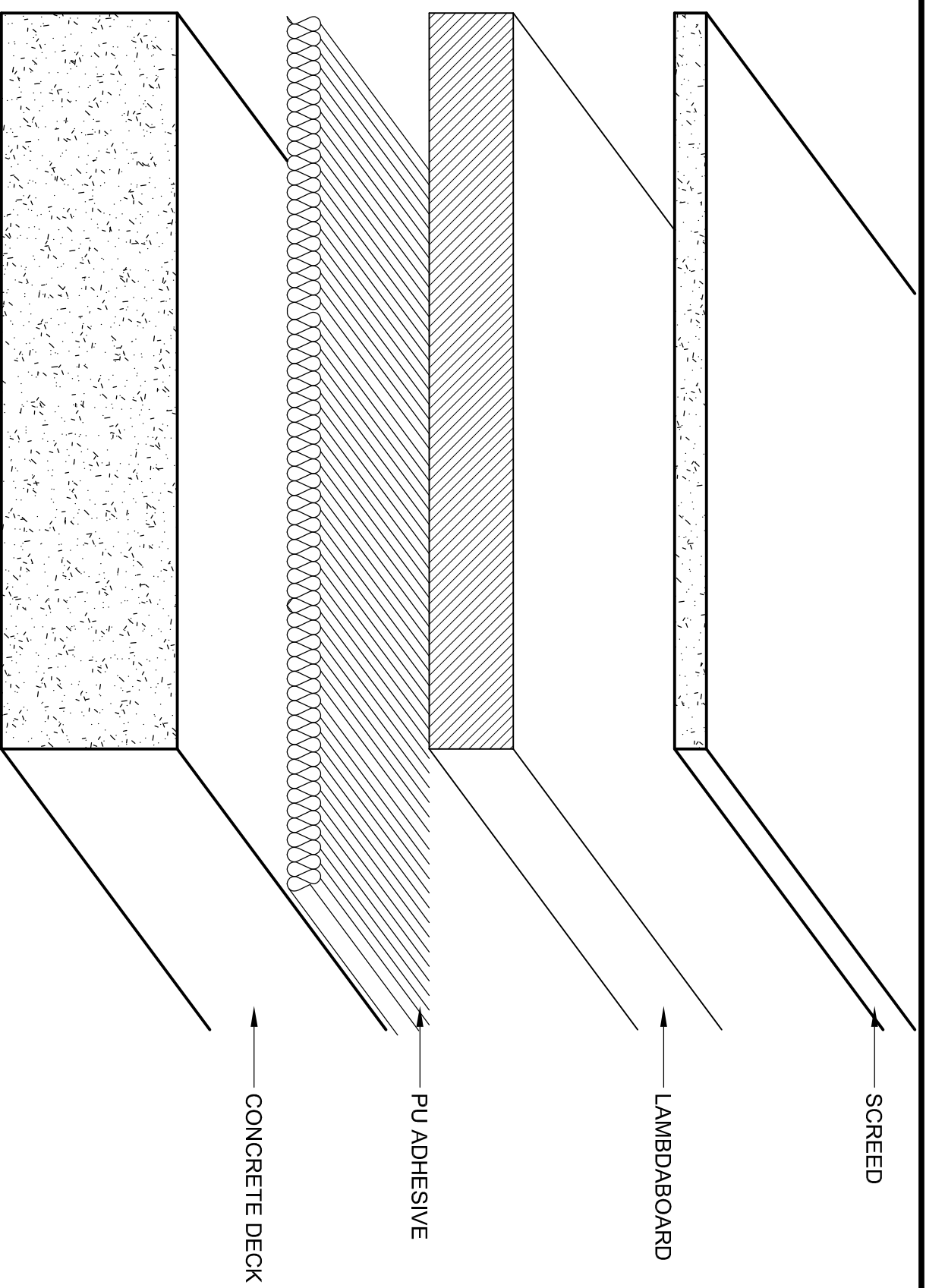
Option 2.

To add weight where the boards are over 30mm thick and clips cannot be fitted a 6.4mm Gypsum board is to be bonded to the top side of the ceiling panel giving sufficient weight to hold the board in place.

Where light fittings and accessories are to be hung / attached to the ceiling, it is suggested to bond Supawood or chipboard (in non humid areas) to the back of selected ceiling board to enable you to fasten anchors directly through the ceiling board into the backing board for hanging strength.



2010/002777/07



WARM DECK WITHOUT MECHANICAL FASTENERS